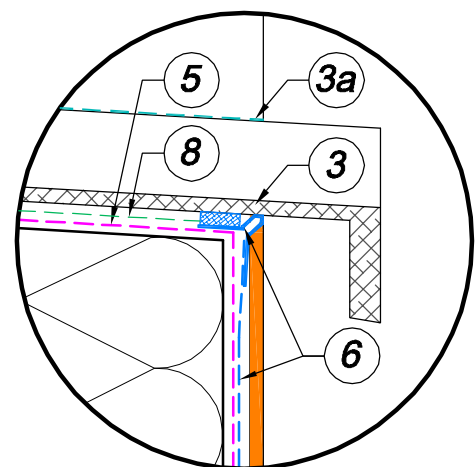


1. WALL INSULATED WITH ONE OF ATLAS/AVAL SYSTEMS
2. INSET WINDOW FRAME
3. EXTERNAL SILL
- 3a. SEALING BETWEEN THE SILL AND THE RENDER
4. COMPLEMENTARY INSULATION
- EPS POLYSTYRENE
5. BASECOAT WITH THE REINFORCING MESH EMBEDDED
6. SILL PROFILE WITH MESH
7. WINDOW PUTTY/POLYMER MASTIC
8. ADHESIVE FOR SILLS
9. BACKER ROD



No. 1.3.1 Insulation of the under-reveal wall with the inset window frame with the use of sill profile