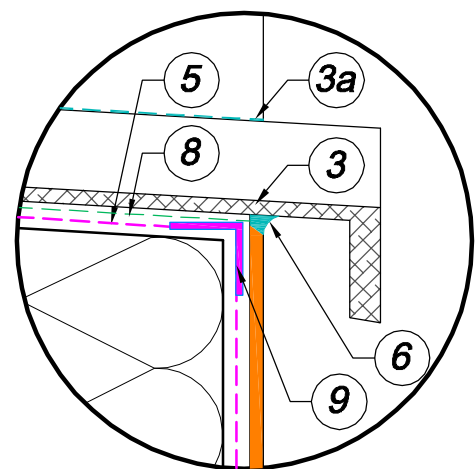


1. WALL INSULATED WITH ONE OF ATLAS/AVAL SYSTEMS
2. INSET WINDOW FRAME
3. EXTERNAL SILL
- 3a. SEALING BETWEEN THE SILL AND THE RENDER
4. COMPLEMENTARY INSULATION
- EPS POLYSTYRENE
5. BASECOAT WITH THE REINFORCING MESH EMBEDDED
6. ELASTIC SEALANT
7. BACKER ROD
8. ADHESIVE FOR SILLS
9. CORNER PROFILE



No. 1.3.1 Insulation of the under-reveal wall with the inset window frame with the use of corner profile