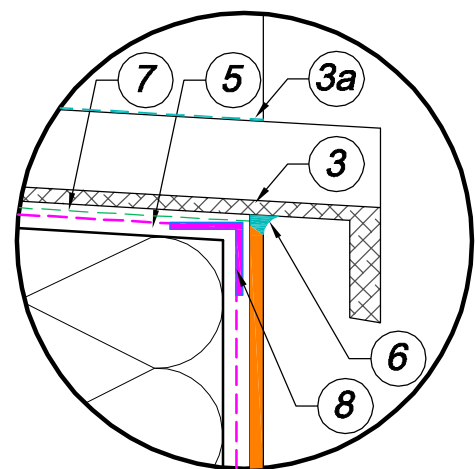


1. WALL INSULATED WITH ONE OF ATLAS/AVAL SYSTEMS
2. WINDOW FRAME EVEN TO THE WALL FACE
3. EXTERNAL SILL
- 3a. SEALING BETWEEN THE SILL AND THE RENDER
4. LOW-PRESSURE FOAM
5. BASECOAT WITH THE REINFORCING MESH EMBEDDED
6. ELASTIC SEALANT
7. ADHESIVE FOR SILLS
8. CORNER PROFILE
9. BACKER ROD



**No. 1.3.4 Insulation of the under-reveal wall with the window frame even to the wall face with a corner profile**